

# GRASS CATCHER ADAPTER KIT

## CONTENTS

1. INSTRUCTIONS FOR SAFE OPERATIONS
2. SET-UP INSTRUCTIONS
3. OPERATING INSTRUCTIONS
4. SERVICE INSTRUCTIONS
5. ILLUSTRATED PARTS AND PARTS LIST
6. WARRANTY

## SECTION 1

### Instructions for Safe Operation

Improper use of this grass catcher can injure people and damage the equipment. People using or servicing this grass catcher must read and follow the instructions in this manual.

It is important to understand that this manual and any other Gravely instruction manuals do not cover every possible danger. It is impossible for Gravely to know all possible dangers in operating and servicing the equipment.

The purchaser must give these instructions to the people operating and maintaining this grass catcher. These people must use eye and foot protection.

#### 1.1 Preparation:

1. Carefully read this manual and the Pro Power Unit Operator's Manual.
2. Learn the location and function of all controls.
3. Learn how to use the controls to stop the wheels and mower quickly.
4. Use caution with gasoline. Gasoline is very flammable. Keep it in a clean and tight container away from flames or hot items. Never put gasoline in the fuel tank while the engine is running or hot. Clean up spilled gasoline before starting engine.
5. Be certain that all shields, guards, and interlock switches are in the correct positions.
6. Never permit children to operate the Pro Power Unit and grass catcher.
7. Inspect area to be mowed and remove all material which could be thrown by the mower.
8. Before starting the engine, put the PTO control lever in the "OFF" position and the gear shift lever in the neutral "N" position.
9. When hauling the equipment, connect the chassis to the transporting vehicle. Never connect from control levers, rods, or like items that could be damaged.
10. Replace all parts that become damaged or lost.
11. Always have the complete grass catcher in place before operating the mower.

## 1.2 Operation:

1. Wear foot and eye protection. Do not wear loose clothing.
2. Do not use the equipment in the dark without adequate lighting.
3. Keep the grass catcher in good condition. Maintain it as directed in this manual.
4. USE ONLY GRAVELY ACCESSORIES AND ATTACHMENTS.
5. Do not overspeed the engine. Do not override the governor.
6. Keep away from moving parts.
7. Keep people and animals away from the operating area.
8. Do not let people other than the operator near the operating equipment.
9. Use a slow speed and engage the shift lever slowly when operating on slopes.
10. Look for and keep away from hazards.
11. After hitting an object, stop the equipment and engine. Check for damage. Repair any damage before operating.
12. Look behind when operating in reverse. Look for people and hazards.
13. Operate only from the operator's position, just behind the handlebars.
14. Travel across slopes, not up and down.
15. If there is a sudden change in the sound or vibration of the equipment, stop the engine and check for damage. Repair any damage or failure before continuing operation.
16. Never run the engine indoors except to move it outside. Exhaust fumes are dangerous.
17. Go slowly on slick surfaces.
18. Follow traffic laws when operating on or near a road.
19. Before unplugging or servicing the grass catcher, move the PTO control to "OFF", turn the ignition switch to "OFF", and wait until all moving parts completely stop.

2.1

2.2

2.3

2.4

20. Before leaving the operator's position, put the PTO control in the "OFF" position, turn the ignition key to the "OFF" position. Move the shift control to first gear position.
21. Before emptying grass catcher, put the PTO control in the "OFF" position and wait until the mower blade has stopped.

## SECTION 2

### Set-up Instructions

- 2.1 Unpack the grass catcher.
- 2.2 Attach the pan and catcher assembly to the catcher frame. Fasten the basket handles to the frame using the 1/4-20x1.00 bolts, flat washers and lock nuts. See Diagram 1.
- 2.3 Fasten the latches to the catcher support weldment with the 10-24x.625 machine screws, spring washers and lock nuts as shown in the illustration in Section 5. Leave the hardware loose enough to allow the latches to slide.
- 2.4 For the 36" Pro Mower:
  1. Fasten the 36" mower adapter to the catcher support weldment with two 3/8-16x1.00 bolts, flat washers and lock nuts. Do not completely tighten the hardware.  
  
NOTE: If the catcher support weldment has three sets of mounting slots, see Diagram 2 to select the correct set to use.
  2. Move the baffle (if positioned for rear discharge) to side discharge.
  3. Fasten the grass catcher support assembly to the mower with two 3/8-16x1.00 bolts, four flat washers and two lock nuts, as shown in the illustration. Align the rectangular hole in the catcher support weldment with the mower discharge opening and tighten all the hardware.

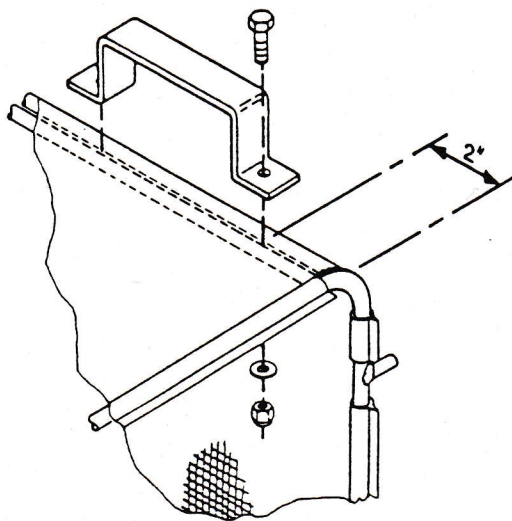
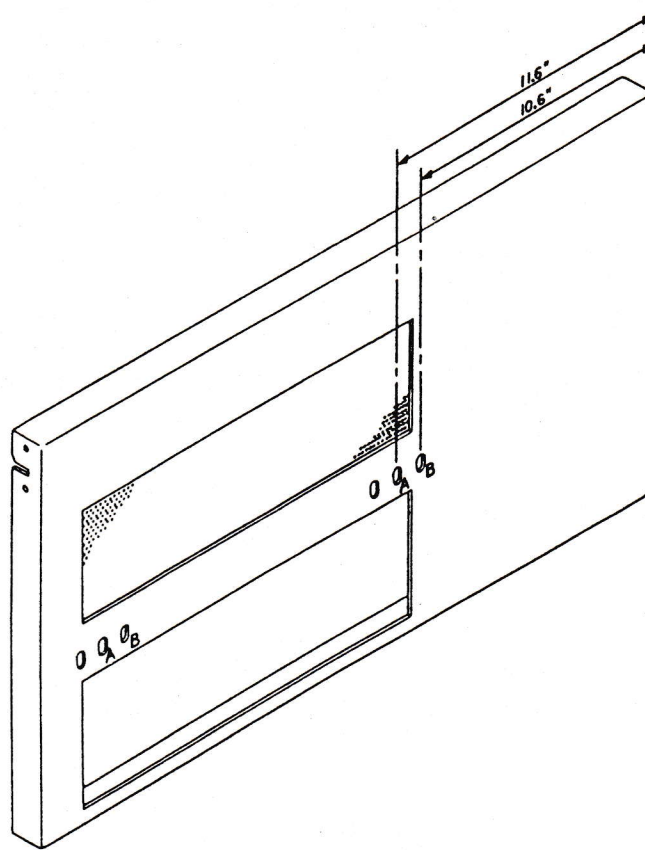


DIAGRAM 1



36" Pro Mower uses "A" slots  
 40" Pro Mower uses "B" slots  
 50" Pro Mower uses "A" slots

DIAGRAM 2

2.5 For the 40" Pro Mower:

1. Install the baffle at the left discharge opening with two 1/4-20x.75 carriage bolts and lock nuts.
2. Remove the discharge cover plate from the right side of the mower.
3. Fasten the 40" mower adapter to the catcher support weldment with two 3/8-16x1.00 bolts, flat washers and lock nut. Do not completely tighten the hardware.

NOTE: If the catcher support weldment has three sets of mounting slots, see Diagram 2 to select the correct set to use.

4. Fasten the grass catcher support assembly to the mower with two 3/8-16x1.00 bolts, four flat washers and two lock nuts, as shown in the illustration. Align the rectangular hole in the catcher support weldment with the mower discharge opening and tighten all the hardware.

**! CAUTION:** When the grass catcher is not being used when mowing, the discharge chute must be attached and moved into operating position.

2.6 For the 50" Pro Mower:

1. Fasten the 50" mower adapter to the catcher support weldment with two 3/8-16x1.00 bolts, flat washers and lock nuts. Do not completely tighten the hardware.

NOTE: If the catcher support weldment has three sets of mounting slots, see Diagram 2 to select the correct set to use.

2. Remove the mower discharge chute.
3. Set the 50" adapter in position on the mower with two flat washers between the deck and chute adapter weldment and put the two 3/8-16x1.00 carriage bolts in from under the deck and retain with flat washers and 3/8-16 lock nuts.
4. Using the hole in the 50" adapter for a template, drill a 3/8" diameter hole in the deck. Loosen the hardware previously installed and put a flat washer between the chute adapter weldment and the deck at the new hole. Install a 3/8-16x1.00 hex bolt from under the deck in this hole and retain with a flat washer and 3/8-16 lock nut. Tighten the two carriage bolts.
5. Align the rectangular hole in the catcher support weldment with the mower discharge opening and tighten all the hardware.

- 2.7 Align the studs on the bottom of the catcher frame with the holes in the bottom edge of the catcher support weldment. Set the grass catcher in place on the support frame weldment and retain with the latches.



## SECTION 3

### Operating Instructions

- 3.1 Set the throttle in the "FAST" position to assist in material collection. Use the gear selector to control ground speed.
- 3.2 See the Pro Power Unit Operator's Manual for starting and stopping the equipment.
- 3.3 Transport equipment to and from the area to be mowed with the grass catcher weldment down in place and the PTO control in the "OFF" position.
- 3.4 Select a mowing pattern which would position the grass catcher over the cut grass.
- 3.5 Observe the air flow out of the grass catcher and the evidence of clippings on the turf behind the mower to determine when the grass catcher is full.
- 3.6 The equipment can be transported to the dump area and the rope pulled to dump the grass catcher or the grass catcher weldment can be lifted from the mower and carried to another container on the dumping area.



#### CAUTION:

1. Before dumping the grass catcher, place the PTO control in the "OFF" position and wait until the mower blades stop.
2. Before removing the grass catcher weldment, place the PTO control in the "OFF" position, turn the ignition switch to the "OFF" position, and wait until all parts have stopped moving.
3. When the grass catcher is not to be used, remove the chute adaptor and replace it with the discharge chute.

## SECTION 4

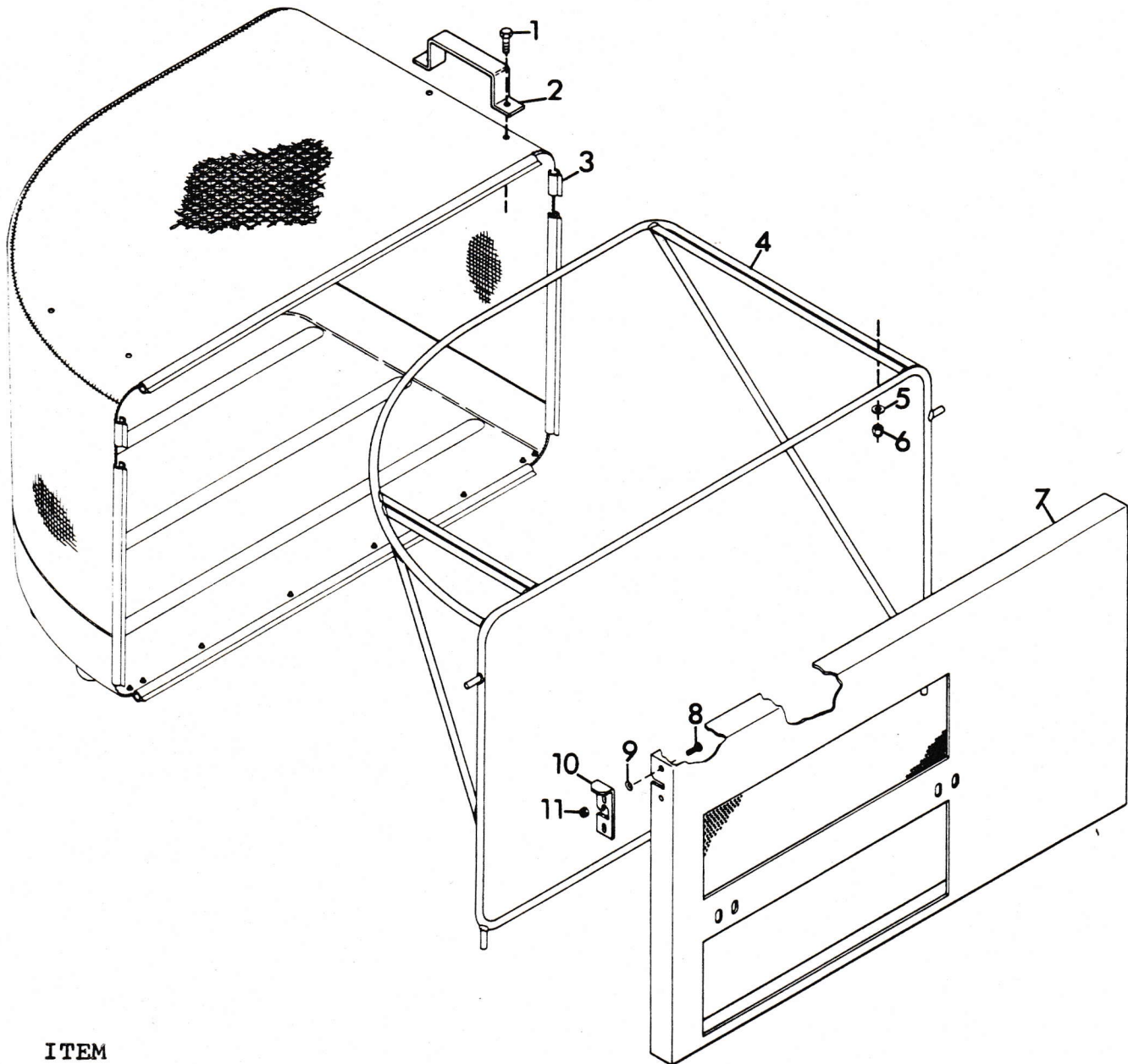
### Service Instructions

- 4.1 Inspect the grass catcher system for damage and missing parts daily. Make repairs before operating.
- 4.2 Clean the grass catcher weldment thoroughly with water and a brush to remove material from the housing and screen before parking.
- 4.3 Before storing, thoroughly clean the grass catcher and mower. Use a can of touch-up paint to paint bare areas.

SECTION 5

Illustrated Parts and Parts List

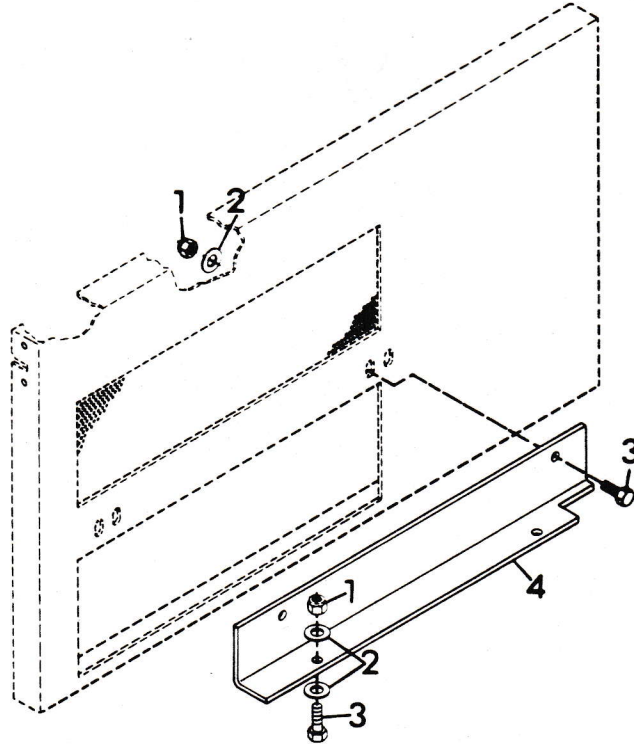
PRO MOWER GRASS CATCHER



ITEM NO.	PART NO.	QTY.	DESCRIPTION
1	180022	4	Bolt, Hex 1/4-20x1.00
2	40517	2	Handle, Hopper
3	42096	1	Assembly, Pan and Catcher
4	42095	1	Frame, Catcher
5	42097	4	Washer, Handle
6	419454	4	Nut, Lock 1/4-20
7	42110	1	Weldment, Catcher Support
8	436733	4	Screw, Mach. 10-24x.625
9	40523	4	Washer, 1/4" Spring
10	40522	1	Latch, Catcher Left
NS	40521	1	Latch, Catcher Right
11	190254	4	Nut, Lock 10-24

GRASS CATCHER ADAPTER KIT

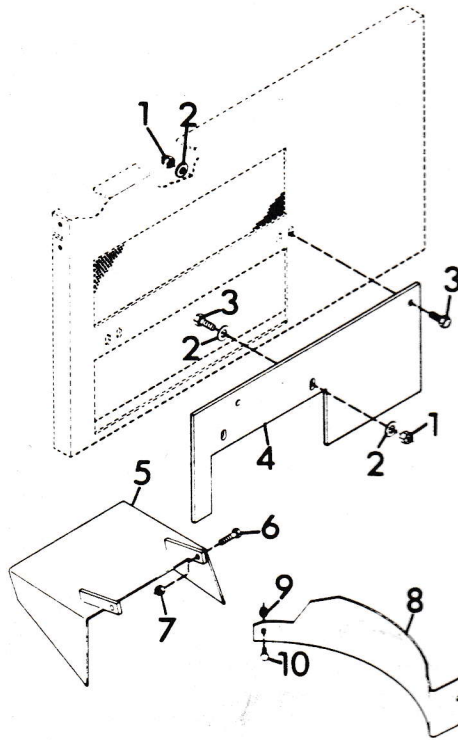
FOR 36" PRO MOWER



ITEM NO.	PART NO.	QTY.	DESCRIPTION
1	180122	4	Bolt, Hex 3/8-16x1.00
2	120394	6	Washer, Flat .406x.812x.065
3	456004	4	Nut, Lock 3/8-16
4	40503	1	Adapter, Pro 36

GRASS CATCHER ADAPTER KIT

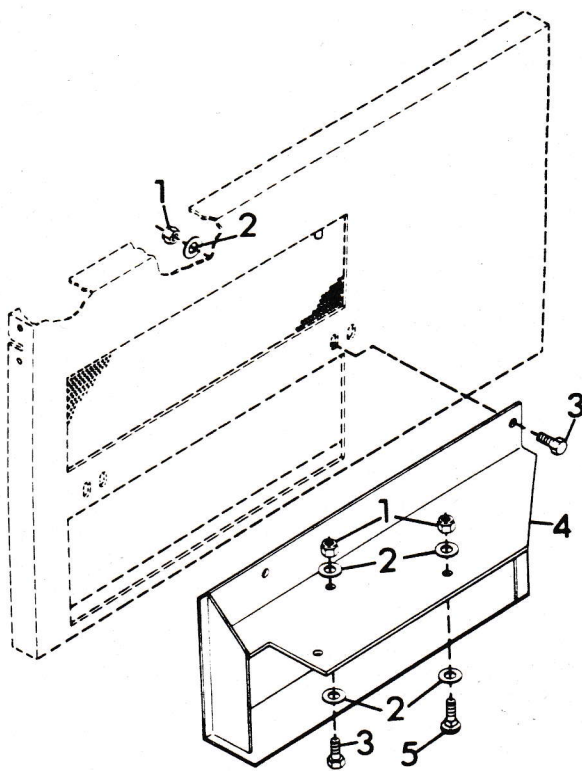
FOR 40" PRO MOWER



ITEM NO.	PART NO.	QTY.	DESCRIPTION
1	456004	4	Nut, Lock 3/8-16
2	120394	6	Washer, Flat .406x.812x.065
3	180122	4	Bolt, Hex 3/8-16x1.00
4	42469	1	Adapter, Pro 40
5	34983	1	Weldment, Discharge Chute
6	180081	2	Bolt, Hex 5/16-18x1.25
7	419455	2	Nut, Lock 5/16-18
8	34970	1	Baffle
9	419454	2	Nut, Lock 1/4-20
10	120518	2	Bolt, 1/4-20x.75 Rd Hd Sq Nk

# GRASS CATCHER ADAPTER KIT

FOR 50" PRO MOWER



ITEM NO.	PART NO.	QTY.	DESCRIPTION
1	456004	5	Nut, Lock 3/8-16
2	120394	8	Washer, Flat .406x.812x.065
3	180122	3	Bolt, Hex 3/8-16x1.00
4	38218	1	Weldment, Chute Adapter
5	120915	2	Bolt, 3/8-16x1.00 Rd Hd Sq Nk

## SECTION 6

### LIMITED FIVE-YEAR WARRANTY

1. This Limited Five-Year Warranty is issued by Gravely International, Inc., only to the original purchaser. If Gravely equipment is leased by Gravely, this Warranty shall extend also to the original lessee as if such lessee were the original purchaser.
2. Gravely warrants that all new equipment manufactured by Gravely ("Gravely Products") shall be free of defects in material and workmanship for the term described in paragraph 4, below. Except as hereinafter provided, this Warranty does not cover any engine, tires or battery forming a part of the Gravely Product. Engine and tires are covered by and subject to separate warranties of the manufacturers thereof.
3. In the event that any Gravely Product warranted hereunder shall be defective or fail to conform with this Warranty, Gravely shall, subject to the provisions hereof, pay for, or provide labor and materials for, the repair or replacement of such defective Gravely Product.
4. This Warranty is for five years (60 months) from purchase date for Gravely Products used exclusively for personal, family or household purposes, and two years (24 months) for products used for other purposes (commercial use), excluding rental firms. Gravely products used for rental purposes will be warranted for 90 days. Repair of Gravely Products after the second year (24 months from date of purchase) shall be subject to a \$50.00 deductible for each repair. (After two years, Gravely agrees to repair or replace defective Gravely Products used exclusively for personal, family or household purposes only to the extent that the cost of such warranty covered repair or replacement exceeds \$50.00.)

Batteries are warranted by Gravely for a period of twelve (12) months only. If a battery shall fail within twelve (12) months of purchase, the replacement cost thereof shall be prorated over a twelve-month term based upon the number of months since purchase.
5. To obtain Warranty Service on a Gravely Product (including any battery or other component not manufactured by Gravely), use this procedure:
  - a. Notify the Gravely dealer from whom you purchased the equipment.
  - b. If you have moved and it is not convenient to notify the selling dealer, notify the nearest Gravely dealer. You should supply this dealer with a copy of the bill of sale as proof of the date of purchase.
  - c. Make arrangements to have the equipment delivered to the dealer (refer to paragraph 6 a., below).
  - d. If you have any questions concerning the Gravely Limited Warranty, they should be referred to:

Gravely International, Inc.  
One Gravely Lane  
Clemmons, NC 27012  
Attn: Customer Service Department
  - e. Warranty service on Gravely Products must be performed by an authorized Gravely dealer.
6. This Warranty does not cover the following:
  - a. Transportation to the Gravely dealership. (If the Gravely dealer provides transportation, he will charge for such service.)
  - b. Normal maintenance services and normal replacement of items such as spark plugs, belts, oil, oil filters, air filters, and mower, plow or cultivator blades, gauge wheels, skids and other wear items.
  - c. Any Gravely Product which has been altered or modified in any way.
  - d. Any repair or replacement occasioned by customer neglect or lack of proper maintenance. (The purchaser is responsible for making sure that Gravely Products are operated and serviced as directed in the applicable manual or service instruction. Incorrect use or maintenance will void this Warranty.)
  - e. Any repair occasioned by the use of any attachment not approved by Gravely. (The use of any such unapproved attachment will void this Warranty.)
7. GRAVELY MAKES NO OTHER EXPRESS OR IMPLIED WARRANTIES, OR WARRANTIES AS TO THE MERCHANTABILITY OR FITNESS FOR A PARTICULAR PURPOSE. ALL WARRANTIES ARE LIMITED IN DURATION TO THE TERMS SET OUT IN PARAGRAPH 4, ABOVE. GRAVELY SHALL HAVE NO LIABILITY FOR INCIDENTAL OR CONSEQUENTIAL DAMAGES RESULTING FROM THE BREACH OF ANY WARRANTY, INCLUDING, BUT NOT LIMITED TO, LIABILITY FOR INCONVENIENCE, RENTAL OR PURCHASE OF REPLACEMENT EQUIPMENT, OR FOR LOSS OF PROFITS OR OTHER COMMERCIAL LOSS.
8. Some states do not allow limitations on how long an implied warranty lasts, so the above statement may not apply to you. Some states do not allow the exclusion or limitation of incidental or consequential damages, so the above limitation or exclusion may not apply to you.
9. This Warranty gives you specific legal rights, and you may have other rights which vary from state to state.
10. A Gravely product registration card is supplied with each Gravely Product. Please complete the card and return it to Gravely at the address listed on the card. The equipment registration card will be used by Gravely for:
  - a. Recording date of purchase.
  - b. Notification of owners in compliance with the Consumer Product Safety Act, should any notification be necessary.The return of such card is necessary for your warranty to be effective.
11. This Warranty is not subject to change or modification by anyone, including Gravely dealers and no Gravely dealer is authorized to make any representations or promises on Gravely's behalf.

 **GRAVELY.**

One Gravely Lane, Clemmons, NC 27012